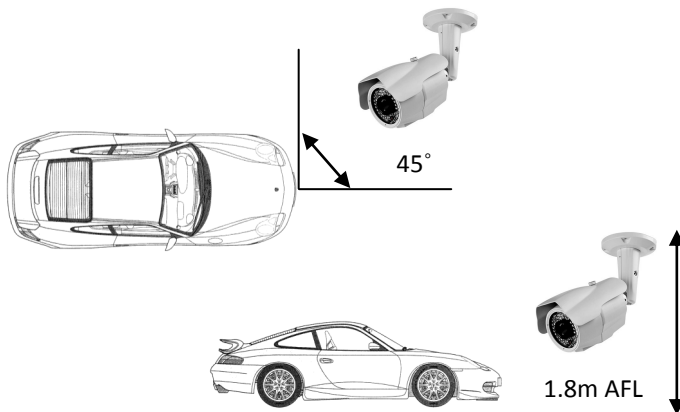


# 2.1 MegaPixel HD, License Plate Recognition Day / Night IP Camera



This high quality license plate capture camera features an intelligent 'Traffic' mode that turns speeding vehicles, headlights, backlighting and weather conditions into non-issues. While standard CCTV cameras struggle to provide clear identifiable license plate images the CCTVPLATEIP utilises two separate traffic modes, DSP (Digital Signal Processing) and DNR (Digital Noise Reduction) technology to continuously provide high quality clear images. It also features true Day/Night functionality to provide 24hr operation.



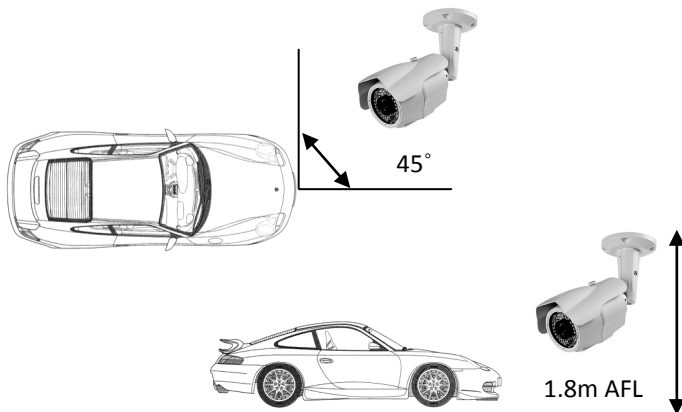
<b>Image System</b>	
Image sensor	1/2.8" 2.1megapixels Progressive Sony CMOS
Effective pixels	1920x1080, 1280x720 ; 640x320, 320x160, 160x112
Image Compression Method	H.264, Bitrate 32KB ~16Mbps, support VBR, CBR
Frame rate	Frame rate up to 25fps at 1920 x 1080
Lens	5-50mm 2.1 Mega Pixel lens
Minimum illumination	0.5 Lux
Record	Record via Onvif conformant NVR, CMS and Smartphone
Power requirement	DC12V 600mA, POE (802.3af)
<b>Network</b>	
Ethernet	10Base-T/100Base-TX Ethernet connection for LAN
Internet protocol	TCP/IP, UDP, HTTP, HTTPs, SMTP, DNS, DHCP, NTP, FTP, RTP,RTSP, ICMP, uPNP
Connectors	RJ-45
Browser	IE browser 6.0 or above
<b>Mechanical</b>	
Dimensions (L x W x H)	282mm(L) *124mm(W) *108mm(H)
Ingress Rating	IP66
Weight	1.2kg
<b>Package Contents</b>	
Camera, mounting bracket, 20m Cat6 cable, power supply, software CD	

**\$799** CCTVPLATEIP  
[www.australsurveillance.com.au](http://www.australsurveillance.com.au)  
 ☎ 1300 130 508

# 2.1 MegaPixel HD, License Plate Recognition Day / Night IP Camera OCR Plate Logging



This high quality license plate capture camera features an intelligent 'Traffic' mode that turns speeding vehicles, headlights, backlighting and weather conditions into non-issues. While standard CCTV cameras struggle to provide clear identifiable license plate images the CCTVPLATEIPOCR utilises two separate traffic modes, DSP (Digital Signal Processing) and DNR (Digital Noise Reduction) technology to continuously provide high quality clear images. It also features true Day/Night functionality to provide 24hr operation. OCR software allows recording of plate frame grabs (in JPG format) and CSV / XML reporting complete with date time log. Optional access control module available.



<b>Image System</b>	
Image sensor	1/2.8" 2.1megapixels Progressive Sony CMOS
Effective pixels	1920x1080, 1280x720 ; 640x320, 320x160, 160x112
Image Compression Method	H.264, Bitrate 32KB ~16Mbps, support VBR, CBR
Frame rate	Frame rate up to 25fps at 1920 x 1080
Lens	5-50mm 2.1 Mega Pixel lens
Minimum illumination	0.5 Lux
Record	Record via Onvif conformant NVR, CMS and Smartphone
Power requirement	DC12V 600mA, POE (802.3af)
<b>Network</b>	
Ethernet	10Base-T/100Base-TX Ethernet connection for LAN
Internet protocol	TCP/IP, UDP, HTTP, HTTPs, SMTP, DNS, DHCP, NTP, FTP, RTP,RTSP, ICMP, uPNP
Connectors	RJ-45
Browser	IE browser 6.0 or above
<b>Mechanical</b>	
Dimensions (L x W x H)	282mm(L) *124mm(W) *108mm(H)
Ingress Rating	IP66
Weight	1.2kg
<b>Package Contents</b>	
	Camera, mounting bracket, 20m Cat6 cable, power supply, OCR software CD

**\$1,999** CCTVPLATEIPOCR  
[www.australsurveillance.com.au](http://www.australsurveillance.com.au)

☎ 1300 130 508